



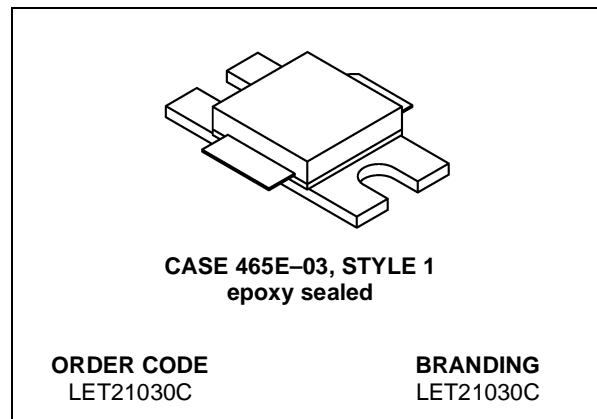
LET21030C

RF POWER TRANSISTORS *Ldmos Enhanced Technology*

TARGET DATA

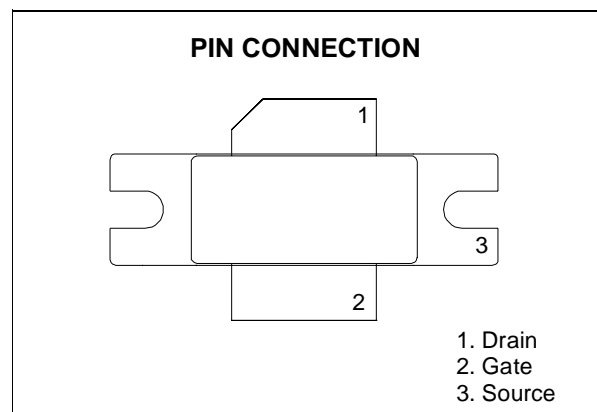
Designed for GSM / EDGE / IS-97 / WCDMA applications

- EXCELLENT THERMAL STABILITY
- $P_{OUT} = 30\text{ W}$ with 11 dB gain @ 2170 MHz
- BeO FREE PACKAGE
- INTERNAL INPUT MATCHING
- ESD PROTECTION



DESCRIPTION

The LET21030C is a common source N-Channel enhancement-mode lateral Field-Effect RF power transistor designed for broadband commercial and industrial applications at frequencies up to 2.1 GHz. The LET21030C is designed for high gain and broadband performance operating in common source mode at 26 V. Its internal matching makes it ideal for base station applications requiring high linearity.



ABSOLUTE MAXIMUM RATINGS ($T_{CASE} = 25\text{ }^{\circ}\text{C}$)

Symbol	Parameter	Value	Unit
$V_{(BR)DSS}$	Drain-Source Voltage	65	V
V_{GS}	Gate-Source Voltage	-0.5 to +15	V
I_D	Drain Current	4	A
P_{DISS}	Power Dissipation (@ $T_c = 70\text{ }^{\circ}\text{C}$)	65	W
T_j	Max. Operating Junction Temperature	200	$^{\circ}\text{C}$
T_{STG}	Storage Temperature	-65 to +200	$^{\circ}\text{C}$

THERMAL DATA

$R_{th(j-c)}$	Junction -Case Thermal Resistance	2	$^{\circ}\text{C/W}$
---------------	-----------------------------------	---	----------------------

LET21030C

ELECTRICAL SPECIFICATION (T_{CASE} = 25 °C)

STATIC (Per Section)

Symbol	Test Conditions	Min.	Typ.	Max.	Unit
V _{(BR)DSS}	V _{GS} = 0 V I _D = 20 μA	65			V
I _{DSS}	V _{GS} = 0 V V _{DS} = 26 V			1	μA
I _{GSS}	V _{GS} = 5 V V _{DS} = 0 V			1	μA
V _{GS(Q)}	V _{DS} = 28 V I _D = TBD	2		4.5	V
V _{DS(ON)}	V _{GS} = 10 V I _D = 1 A		0.29	0.4	V
G _{FS}	V _{DS} = 10 V I _D = 1 A		2		mho
C _{ISS} *	V _{GS} = 0 V V _{DD} = 26 V f = 1 MHz		TBD		pF
C _{OSS}	V _{GS} = 0 V V _{DD} = 26 V f = 1 MHz		TBD		pF
C _{RSS}	V _{GS} = 0 V V _{DS} = 26 V f = 1 MHz		TBD		pF

* Including input matching capacitor in package ?

Symbol	Test Conditions	Min.	Typ.	Max.	Unit
DYNAMIC (f = 2170 MHz)					
P _{OUT} ⁽¹⁾	V _{DD} = 26 V I _{DQ} = TBD	30	35		W
η _D ⁽¹⁾	V _{DD} = 26 V I _{DQ} = TBD	45	50		%
Load mismatch	V _{DD} = 26 V P _{OUT} = 30 W ALL PHASE ANGLES			10:1	VSWR
DYNAMIC (f = 2110 - 2170 MHz)					
P _{OUT} ⁽¹⁾	V _{DD} = 26 V I _{DQ} = TBD	25	30		W
η _D ⁽¹⁾	V _{DD} = 26 V I _{DQ} = TBD	40	45		%
G _P	V _{DD} = 26 V I _{DQ} = TBD mA P _{OUT} = 30 W		11		dB
P _{OUT(W-CDMA)} ⁽²⁾	ACPR -45 dBc		5		W
η _{D(W-CDMA)} ⁽²⁾	ACPR -45 dBc		20		%

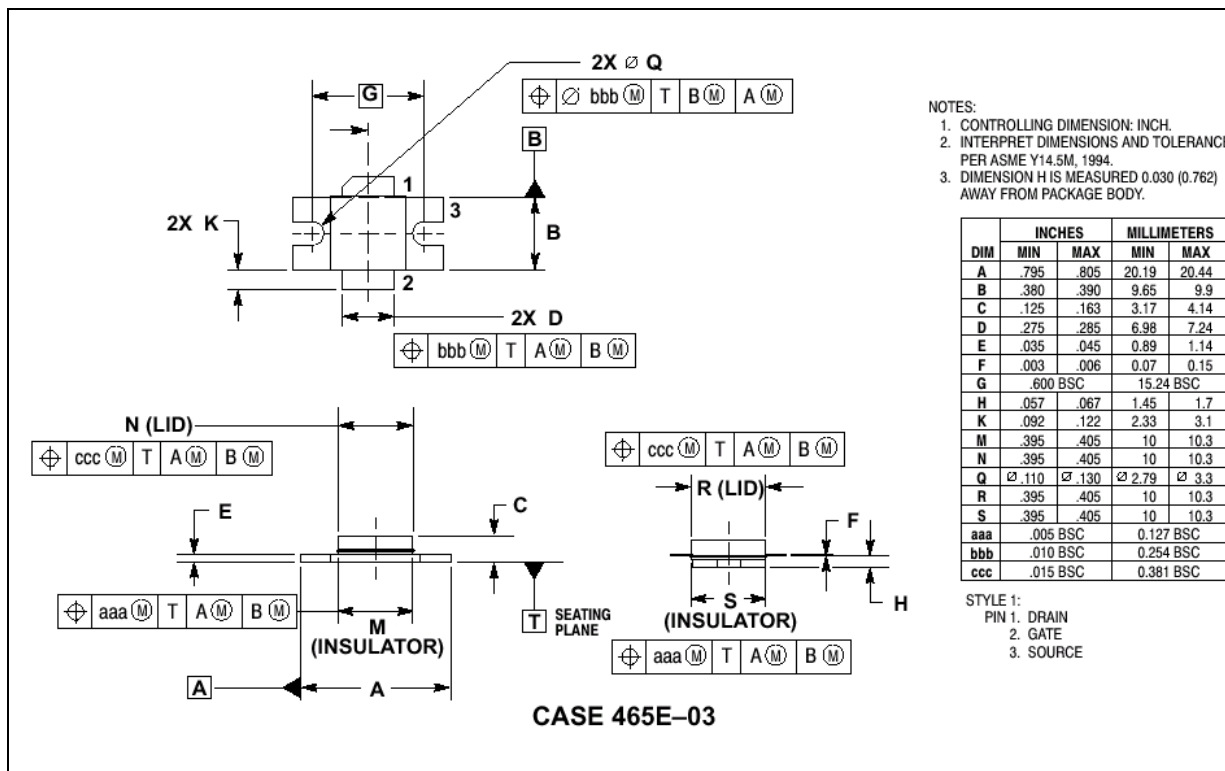
(1) 1 dB Compression point

(2) +/- 5 MHz offset; 3.84 MHz Bandwidth

ESD PROTECTION CHARACTERISTICS

Test Conditions	Class
Human Body Model	2
Machine Model	M3

465E-03 MECHANICAL DATA



- NOTES:
 1. CONTROLLING DIMENSION: INCH.
 2. INTERPRET DIMENSIONS AND TOLERANCES PER ASME Y14.5M, 1994.
 3. DIMENSION H IS MEASURED 0.030 (0.762) AWAY FROM PACKAGE BODY.

DIM	INCHES		MILLIMETERS	
	MIN	MAX	MIN	MAX
A	.795	.805	20.19	20.44
B	.380	.390	9.65	9.9
C	.125	.163	3.17	4.14
D	.275	.285	6.98	7.24
E	.035	.045	0.89	1.14
F	.003	.006	0.07	0.15
G	.600		15.24	BSC
H	.057	.067	1.45	1.7
K	.092	.122	2.33	3.1
M	.395	.405	10	10.3
N	.395	.405	10	10.3
Q	∅ .110	∅ .130	∅ 2.79	∅ 3.3
R	.395	.405	10	10.3
S	.395	.405	10	10.3
aaa	.005 BSC		0.127 BSC	
bbb	.010 BSC		0.254 BSC	
ccc	.015 BSC		0.381 BSC	

STYLE 1:
 PIN 1. DRAIN
 2. GATE
 3. SOURCE

CASE 465E-03

Information furnished is believed to be accurate and reliable. However, STMicroelectronics assumes no responsibility for the consequences of use of such information nor for any infringement of patents or other rights of third parties which may result from its use. No license is granted by implication or otherwise under any patent or patent rights of STMicroelectronics. Specifications mentioned in this publication are subject to change without notice. This publication supersedes and replaces all information previously supplied. STMicroelectronics products are not authorized for use as critical components in life support devices or systems without express written approval of STMicroelectronics.

The ST logo is registered trademark of STMicroelectronics
© 2003 STMicroelectronics - All Rights Reserved

All other names are the property of their respective owners.

Australia - Brazil - Canada - China - Finland - France - Germany - Hong Kong - India - Israel - Italy - Japan -
Malaysia - Malta - Morocco - Singapore - Spain - Sweden - Switzerland - United Kingdom - U.S.A.

<http://www.st.com>